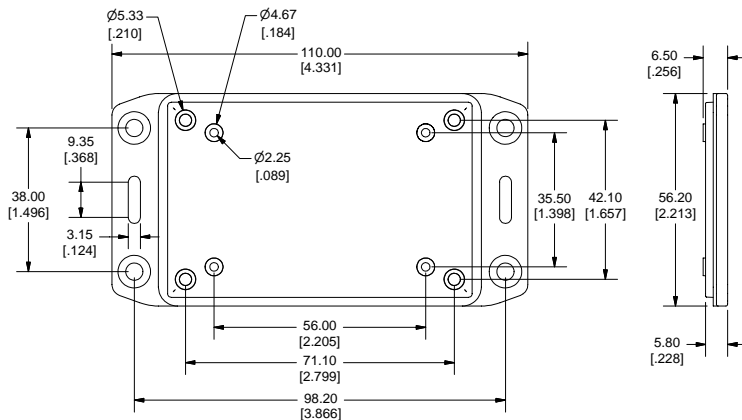
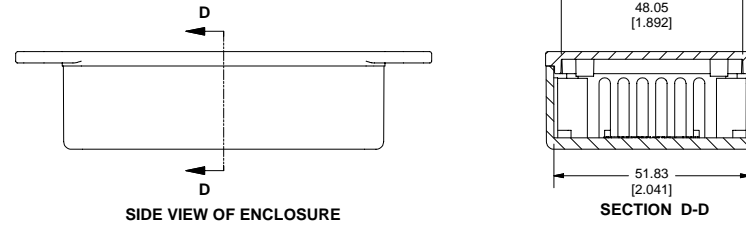
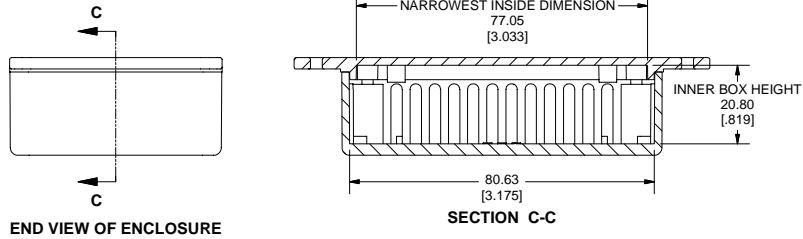
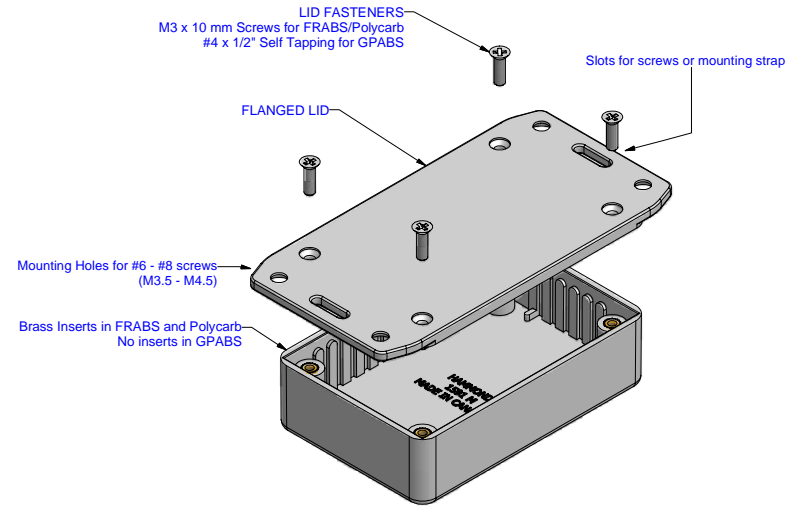
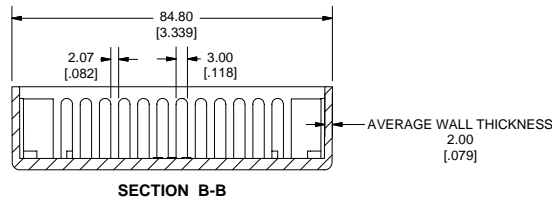
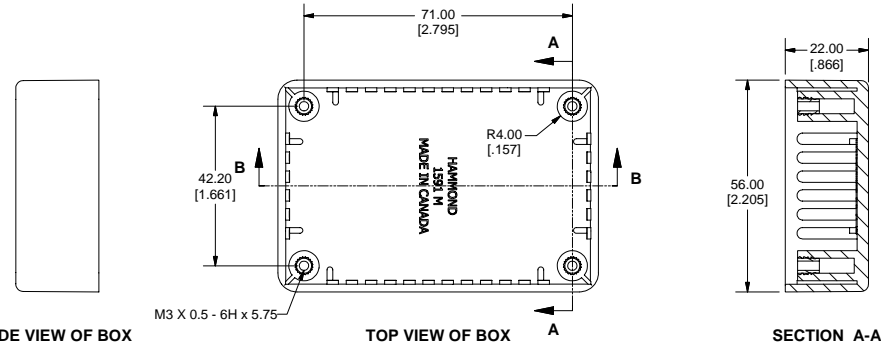


1591MFL Enclosure



Note:

Enclosures can be Factory Modified (Milling, Drilling, Printing etc.)
 Solid models of this enclosure available in STEP or IGES Format.
 Contact Factory mjm@hammondmfg.com

PART NUMBERS		
1591M Flanged Lid Enclosures		
Material	Colour	Part Number
FRABS UL94	Black	1591MFLBK
- V0	Grey	1591MFLGY
Accessories		
Description	Part Number	
Used with ABS Enclosures	PC Board Card Adapters	See Accessories Section
	Replacement Screws, Flat Head Phillips Nickel Plated, Pack of 100.	1591MS100
		1591MS100BK (Black)
Recommended Torque on Fasteners (no lubrication)		
	M3 - 0.5 x 10mm Screws	30-40 cN*m
	#4 x 0.5 Screws	30-40 cN*m

